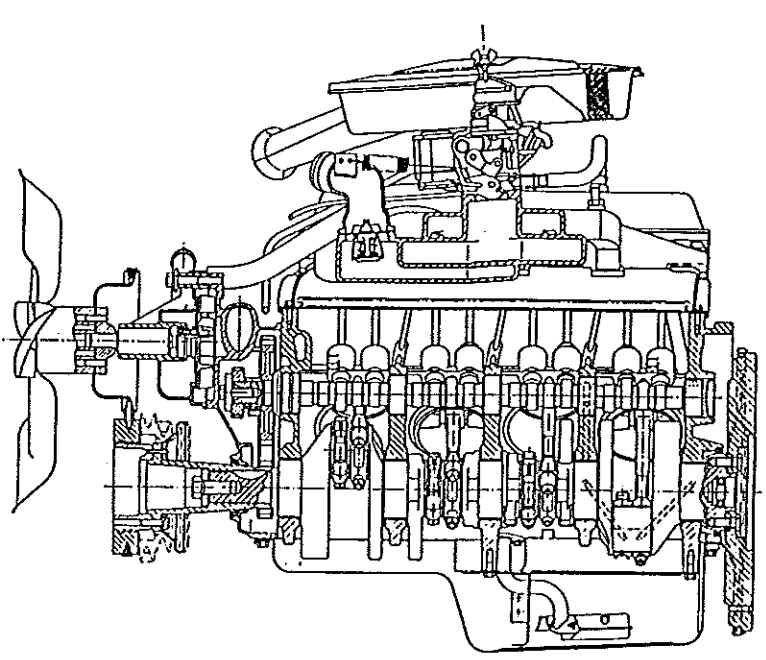
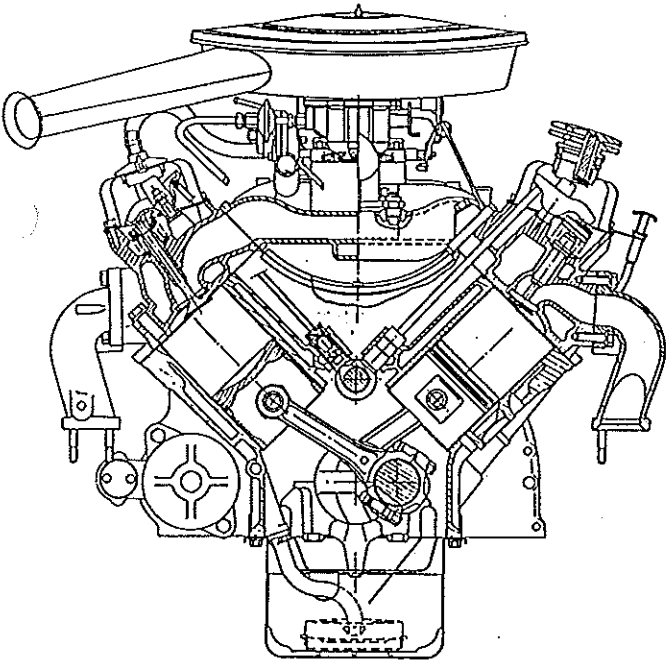
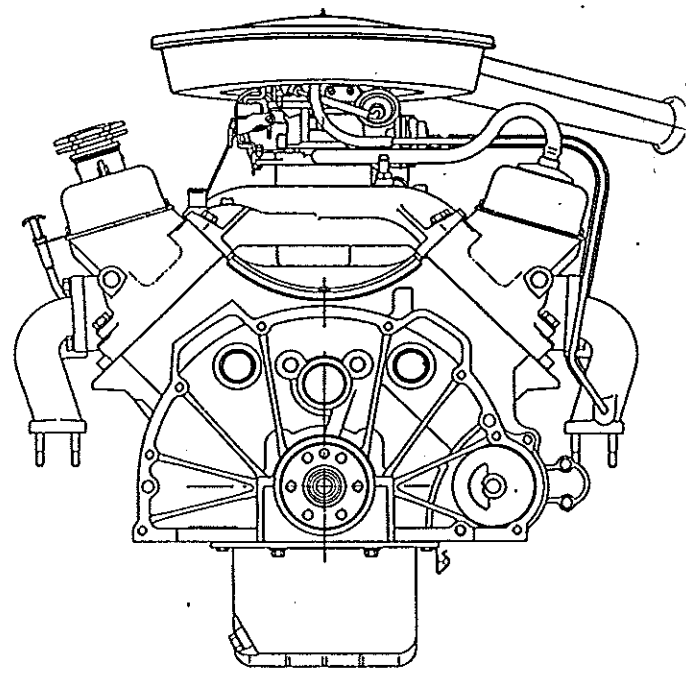
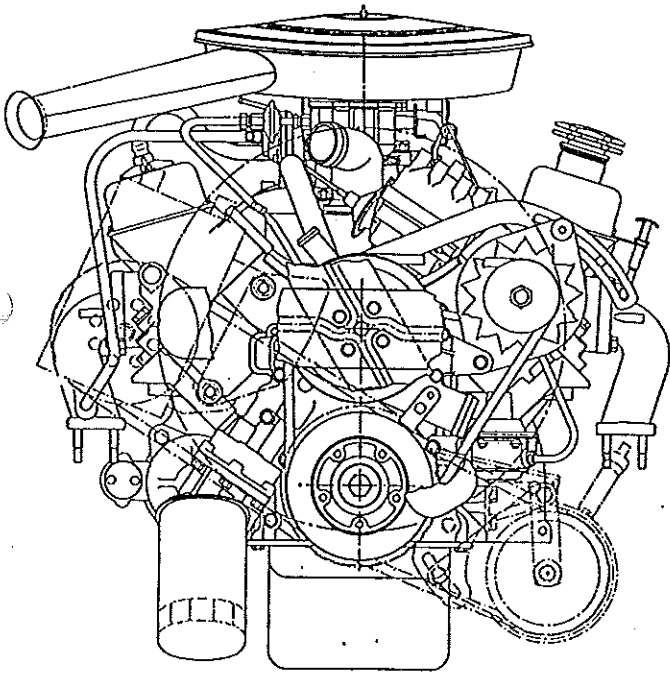
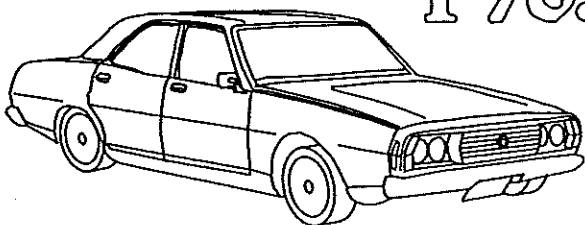


QUEENSLAND P76 OWNERS CLUB INCORPORATED



P76. Anything but average



JUNE 1991

CLUB INFORMATION PAGE

YOUR COMMITTEE

PRESIDENT

Col Murray
1/95 Barbaralla Drive
SLACKS CREEK Q 4127
Ph. 808-9087

VICE PRESIDENT

Ray Ward
SpringTime Gardens C'van Pk
SPRINGWOOD QLD 4127

SECRETARY

Del Murray
1/95 Barbaralla Drive
SLACKS CREEK Q 4127
Ph. 808-9087

TREASURER

Ian Ward
477 Cavendish Rd
COORPAROO QLD 4151
Ph. 397-0476

EDITOR

Mark Pickering
13 Mathieu Rd
PETRIE QLD 4502
Ph. 285-6186

SPARE PARTS

Allan Schutz
10 Cooinda St.
EASTERN HEIGHTS QLD 4305
Ph. 202-1054

This newsletter is the official publication of the Queensland P76 Owners Club Incorporated and is issued free of charge to financial members. Any opinions expressed may not necessarily be those of the Editor or the club, and any unintentional defamation or breach of copyright herein is unreservedly apologised for, and a suitable retraction will be inserted in the next edition, once the matter is drawn to our notice.

GENERAL MEETINGS

The Queensland P76 Owners Club Inc. holds its monthly meeting on the second Wednesday of each month.

TIME 7:30 pm

VENUE

Norman Park Uniting Church hall, Corner of Bennetts Rd and McIlwraith Av.
NORMAN PARK.
(at the round-a-bout)

DATES

August	8th	'90
September	12th	'90
October	10th	'90
November	14th	'90
December	--	TBA --
January	9th	'91
February	13th	'91
March	13th	'91
April	10th	'91
May	8th	'91
June	12th	'91

--
Annual General Meeting
July 10th '91
--

CLUB OUTINGS

Various activities are organised by the club's members and are generally held on the fourth Sunday of the month.

The activity and venue will be advertised in the monthly newsletter.

CLUB MEMBER OF THE YEAR

Points allocation

- attend meeting	1 point
- raffle donation	1 point
- organize event	4 points
- attend event	2 points
- win event	1 point

Editorial

Sorry guys and gals, not to much for me to write about this month. Neil Lyons magical mystery tour was a outstanding success with an unprecedented THREE cars competeting. (I'm sorry if that sounded sarcastic - but it -was!). Really, this must have been the most challenging obs run we've been on to date.
The Results:

1st 97 points out of 200 - Mark and Alyson Pickering
(despite losing 20 points for getting a question correct but using the wrong method !)

2nd 84 points out of 200 - Graham & Pat Rogerson
3rd 79.5 points / 200 - Ian Ward

Thanks Neil !!

See you all at the annual general meeting

Dates For Your Diary

Wednesday 10th July. Annual General Meeting.

Sunday 28th July. Alyson & Julie are organising the Ladies Challenge !!. Stay tuned for further details.

Wednesday 14th August. Monthly Meeting.

Sometime in August. The annual ALL BRITISH DAY. I haven't heard any details as of yet. Note the change of month !!

Wednesay 11th September. Monthly Meeting

September Graham & Pat Rogerson are hosting a swap meet at their place. Note the change of month !!

Wednesday 9th October. Monthly Meeting

Sunday 27th October. Driver Training day at the Police Driver Training complex at Mt. Cotton. 10am-2pm

Wednesday 13th November. Monthly Meeting.

Sunday 24th November. The Annual Presidents Challenge.

Saturday night, 7th December. Christmas Party at Brentleys.

For Sale

Bold As Brass Executive. V8, 4 speed, power steering, 350 holley. Timing cover and internals replaced 12 months ago. all suspension & brakes recently replaced. 15" x 7" gold hotwire mags. Full console and rear louvre. Sports steering wheel (Luisi). \$500 stereo. Reduced from \$6,000 to \$4,000. Contact Greg Box before 7:15am or after 8:30pm on 398-4461.

Targa Florio \$4,000 - Col Murray 808-9087
V8 engine complete with body " 808-9087

V8 engine - re-ringed, both flywheels \$1250 B.E. Guyatt
40 Hutton road, Aspley 4034. Ph 263-6910

Limited slip diff - swap for normal type.
Haroon Probst - 808-7150

Headlight switches and w/wiper switches
Keith Nicholson - 245-6774

Wanted

"Normal Differential" - swap for a Limited slip diff.
Haroon Probst - 808-7150

Annual General Meeting

Don't forget the Annual general Meeting of the Queensland P76
Owners Club Inc. This is YOUR club ! See you there on Wednesday
the 10th July 1991 at 7:30pm at the club room, Uniting church
Hall, Corner Bennetts Road & McIllwraith Ave, Norman Park.
Please bring something for supper afterwards.

FOR SALE LEYLAND P76

MODEL: DELUX - WITH TWIN HEADLIGHTS

COLOUR: "BOLD AS BRASS" AND "PRIMA GREY"

BODY: GOOD PANELS (SOME RUST IN TWO
FRONT DOORS)

INTERIOR: BASIC (NO FLOOR MATTING)

ENGINE: SIX CYLINDER WITH AUSTIN
KIMBERLEY HEAD AND TWIN SU
CARBURETTORS

SUSPENSION: BACK - GOOD

FRONT - BRAND NEW
eg. new struts and bushes

TYRES: BRAND NEW STANDARD SIZE
DUNLOP STEEL RADIALS

SPARE - GOOD (ORIGINAL JACK)

GENERAL: DEREGISTERED FEBRUARY 1991,
WAS OWNERS ONLY VEHICLE UNTIL
THEN.

BRAKE DISCS RECENTLY HONED

PRICE: \$695 O.N.O.

CONTACT: LAWRIE MOCKER
WORK 239 6680
HOME 891 2051

MINUTES OF THE MEETING HELD ON JUNE 12, 1991

The President opened the Meeting at 7.30 p.m. and thanked all for their attendance. A welcome was extended to Michael Blommer as a possible new member.

Apologies: L. Stone, G. Batty.

Minutes: The minutes of the previous meeting were taken as per the May Magazine Moved G. Rogerson seconded M. Elms that they be accepted.

Business Arising from Previous Meeting: Nil

Treasurer's Report: Receipts amounted to \$199-00 and expenses were \$153.00 for the month of June. Full details will be supplied at the next meeting.

General Business:

Starter Motors - Any members wishing to have starter motors reconditioned - see G. Kenward.

Sway Bars - to fit P76 available from M. Pickering or M. Elms - Price \$60 including all new bushes - ex EA Falcon.

Cars for Sale - Original Targa \$4000 - Body (for spares) with motor \$600

C. Murray advised the meeting of the result of a discussion with a prospective buyer of an ex-P motor that Machinery Dept. would not accept motors manufactured earlier than 1976 being put into other vehicles.

H. Probst asked if anyone had a headlight switch available.

Julie Elms requested that anyone with waste bottles or cans bring them to meetings so that so can cash them in for the club.

AGM - Agenda Items - Minutes of the last AGM
Change of financial year
Membership Fees
Notice of Motion that the current committee continue until fresh elections are held later in the year to meet with the new year end period. Moved G. Rogerson Seconded R. Muirhead.

H. Probst wants to swap a limited slip diff for a conventional diff.

As there was no further business the President closed the meeting at 8.45 p.m. and those who wanted stayed to watch the football and partake of nibbles.

RESULT :

UP THE MIGHTY

MAROONS

MEMBERSHIP LISTING Updated June 1991

Peter Alter Phone : 288-4945	33 Meir St	CAMIRA QLD 4300
James Anderson Phone : (071) 592-518	35 See St	Bargara BUNDABERG QLD 4670
Ron Armstrong Phone : 227-2213	19 Georgina St	SALISBURY QLD 4107
Gerrad Batty Phone : 888-3651	18 Mumford Rd	NARANGBA QLD 4504
Gerry Bravery Phone : 800-2959	59 Poinciana Drive	BROWNS PLAINS QLD 4118
Rod Browne Phone : 801-2094	27 Marquis St	LOGANHOLME QLD 4129
Dean Cameron Phone : unknown	27 Hugh St	THORNESIDE QLD 4159
Marcus Chu 50 Phone : (076) 30-1035 Room B8	c/- Con Cannon College	P.O. DARLING HEIGHTS QLD 43
David Cook Phone : (071) 48-5588	Twin Peaks Rd	BLI BLI QLD 4560
John Coughlan Phone : (066) 24-1717	88 Rous Rd	GOONELLABAH NSW 2480
Jack Day Phone : 378-8420	16 Mooredale St	CHAPEL HILL QLD 4069
Leonard Deighton Phone : (074) 435-769	2 Camden Way	MAROOCHYDORE QLD 4558
Neil Davidson Phone : (074) 46-7308	N.S. 1197	Bunya Rd NORTH ARM QLD 4561
Robert Devonshire Phone : (076) 38-3267	39 Helen St	TOOWOOMBA QLD 4350
Mick Dixon Phone : 888-1345	c/- "Green Glades"	Old Gympie Rd NARANGBA QLD 4504
Mark Elms Phone : 285-2749	36 Dayboro Road	KURWONGBAH QLD 4503
Alwyn Farley Phone : 205-7165	4 Centre St	STRATHPINE QLD 4500
Graham Fitzgerald Phone : (066) 241-404	9 McIntosh Rd	LISMORE NSW 2480
Michael Funk Phone : 397-6131	41 Oatland Cres	HOLLAND PK. WEST QLD 4121
Jim & Sue Gaskon Phone : (075) 460-125	Lot 25 Sugarwood Rd	JIMBOOMBA 4280
Andrew Gibbon Phone : 207-7533	27 Lancewood St	VICTORIA POINT QLD 4165
Lloyd Gibson Phone : (076) 259-121	Eumerella South	via THALLON QLD 4497

Membership Listing continued

Peter Gill Phone : 350-2163	86 Wallace St.	CHERMSIDE QLD 4032
Joerg Gutt Phone : 394-3193	2/42 Eighth Ave.	COORPAROO QLD 4151
Ron & Helen Hallard Phone : (075) 353-410	4 Curlew Cres	BURLEIGH WATERS QLD 4220
Neville Humphery Phone : (074) 94-4427	Upper Cedar Creek Road	CONONDALE QLD 4552
Pedro Hodgson Phone : (076) 30-5136	P.O. Box 611	TOOWOOMBA QLD 4350
Ron Hutchins Phone : (079) 561-411	6 Hill St	SARINA QLD 4737
Lee Jones Phone : Unknown	Willowbank Village	Coopers Road IPSWICH QLD 4306
Kon Kelk Phone : 824-2260	18 Reign St	ALEXANDRA HILLS QLD 4161
G & A Kenward Phone : 257-6046	318 St. Vincents Road	BANYO QLD 4014
Peter Keyte Phone : 372-3682	4 Hydra St	INALA QLD 4077
Tom Kirk Phone : 208-8008	5 Coolibah St	WOODRIDGE QLD 4114
Kenneth Leitch Phone : (075) 52-6322	P.O. Box 205	MERMAID BEACH QLD 4218
Neil & Val Lyons Phone : 893-1180	31 Radford Rd	MANLY WEST QLD 4179
W McDonald Phone : 206-7420	Lot 28 Heinemann Rd	REDLAND BAY QLD 4165
Michael McKenzie Phone : 277-5701	36 Faxton St	ACACIA RIDGE QLD 4110
Terry McKiernan Phone : (075) 32-4290	27 Mabel St	SOUTHPORT QLD 4215
Ron & Clare McKnoulty Phone : 200-7666	22 Coachwood St	MARSDEN QLD 4132
Mr David Morton Phone : 0602-623086	Morton Motor Spares Nottingham, NG5 2LA	69 Haydn Road, Sherwood ENGLAND
Pam Morton Phone : Unknown	Oakwood C'van Park	Gin Gin Rd BUNDABERG QLD 4621
Richard Muirhead Phone : 343-3754	41 Carnelian St	HOLLAND PARK QLD 4121
Russell Muirhead Phone : 200-9643	14 Montrose Ave	BETHANIA QLD 4205
Cec & Elma Munt Phone : 351-4609	46 Caesar Rd	FERNY HILLS QLD 4055

Membership Listing continued

Col & Del Murray Phone : 808-9087	1/95 Barbaralla Drv	SLACKS CREEK QLD 4127
Brad Neale Phone : Unknown	c/- Miss N.A. Barnes	Lot 5 Glendale Rd GLENDALE PARK QLD 4702
Keith Nicholson Phone : 245-6774	32 Larbonya Cres	CAPALABA QLD 4157
Brenden O'Sullivan Phone : 372-1303	17 Cottage St	DURAK QLD 4077
John O'Sullivan Phone : 273-1411	54 Endiandra St	ALGESTER QLD 4115
Robert Perkins Phone : 284-7791	71 Henzell St	KIPPA-RING QLD 4021
Mark & Alyson Pickering Phone : 285-6186	13 Mathieu Road	PETRIE QLD 4502
Phillip Pommerenke Phone : (071) 94-4528	Mail Service 16	MALENY QLD 4552
Peter Ravnik Phone : 369-6528	28 Cairns Tce	RED HILL QLD 4059
Graham & Pat Rogerson Phone : 888-1345	"Green Glades"	Old Gympie Rd NARANGBA QLD 4504
Peter Rose Phone : 341-1229	10 Pindari St	ROCHEDALE QLD 4123
Ian Ross Phone : (075) 551-304	8 Tamborine St	MERMAID BEACH QLD 4218
Allan Schutz Phone : 202-1054	10 Cooina St	IPSWICH QLD 4305
Arthur Sear Phone : 283-1614	8 Enoch St	CLONTARF QLD 4020
Brett Shaw Phone : (075) 77-4164	c/o 86/62 Hansford Rd	COOMBABAH QLD 4216
John Smales Phone : Unknown	Seabreeze C'van Park	MAROOCHYDORE QLD 4558
Lindsay Stone Phone : (074) 463-452	2 Geeribach Lane	YAROOMBA QLD 4573
Mark Swalwell Phone : (074) 413-410	Lot 10 Ellora Crt	NAMBOUR 4560
Tom Swann Phone : 396-1889	10 Baybreeze St	MANLY WEST QLD 4179
Colin Taylor Phone : (075) 39-2761	95 Macquarie Ave	BISHOPS WOOD QLD 4214
Paul Thorpe Phone : 396-1226	14 Walnut St	WYNNUM QLD 4178
Raymond Trost Phone : (076) 38-2258	274 Wylie St	TOOWOOMBA Qld 4350

Membership Listing continued

Marc & Carol Troy Phone : 369-5772	76 Cricket St	PETRIE TERRACE QLD 4000
Evan Ward Phone : (074) 943-010	2 Bella Street	LANDSBOROUGH QLD 4550
Ian Ward Phone :	21 Riverview Tce	INDOOROOPILLY QLD 4068
Ray Ward Phone : Unknown	Springtime Gardens	Caravan Park SPRINGWOOD QLD 4127
Len Wegemund Phone : (075) 31-7609	35 The Corso	ISLE OF CAPRI QLD 4217
Gordon West Phone : Unknown	8 Vanda St	BURANDA QLD 4102
John Wilson Phone : (076) 30-3320	Jones & Amos Rds	M/S 224 WITHCOTT via TAMBA QLD 4352

THATS ALL FOLKS ! ! ! ! ! ! ! ! !

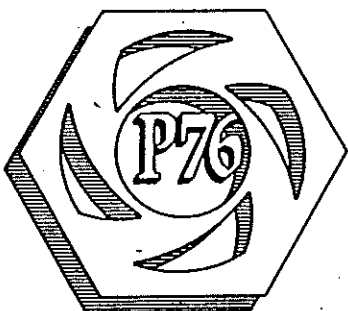
We can handle it so you can.

It's not just the parts, it's the Fulcrum experience that makes the real difference. Matching the perfect components to maximise performance, comfort, safety, reliability... that's the real appeal of Fulcrum. You can't afford to take risks because after the suspension, there's nothing else left to keep you safely on the road.

SALES, SERVICE AND WAREHOUSE
 8 Evesham Street, Moorooka. 4105
 Ph (07) 892 2647
 Also at: 23 Nurdah Street, Hurdah. 4012
 Ph (07) 286 6788
 and 70 Ingham Road, Townsville. 4810
 Ph (07) 72 6144

P.O. BOX 343
CARINA QLD 4152

SENDER



Qld P76 Owners Club
(Incorporated) Newsletter

